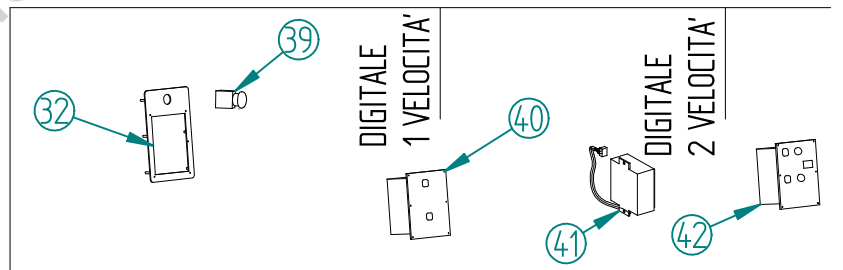
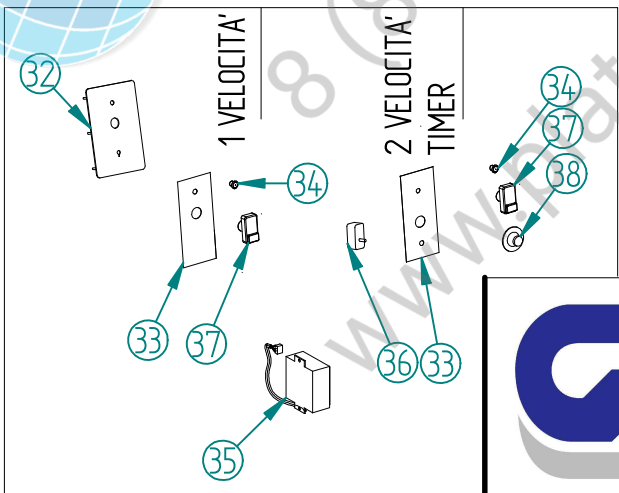
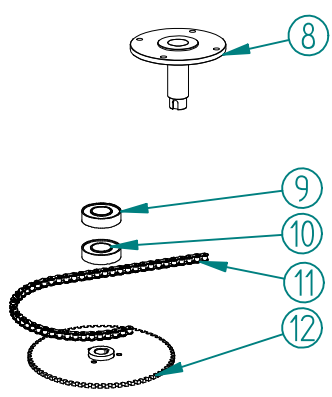


VERSIONE ANALOGICA/ANALOGIC VERSION

VERSIONE DIGITALE/DIGITAL VERSION



TITOLO IMPASTATRICE S 30/40/50	
CODICE:	
DISEGNATO: D.G	DATA:

NUMERO	CODICE	DESCRIZIONE	QUANTITA'	PREZZO NETTO
1	RG100791	PIGNONE SPIRALE Z16x1/2 foro 20	1	€ 17,30
2	RG101182	CUSCINETTO 6204 2RS	2	€ 6,00
2	RG100876	CUSCINETTO 6205 2RS	2	€ 7,00
3	RG102043	SUPPORTO UNIV. GHISA D120 TS/TSV 30/40	1	€ 33,30
3	RG101525	SUPPORTO UNIVERSALE TS/TSV 50	1	€ 56,00
4	RG101504	LAMIERA SPIR. COPRIASOLE IMP S/TS 30/40/	1	€ 6,00
5	RG101261	ASTA SPACCAPASTA IMP S/L/TS 30/40/50	1	€ 25,00
6	RG102337	SPIRALE IMPASTATRICE S/TS 30/40	1	€ 165,00
6	RG100938	SPIRALE IMPASTATRICE S/TS 50	1	€ 212,00
7	RG100832	VASCA IMPASTATRICE S/L30 400X260	1	€ 216,60
7	RG100929	VASCA IMPASTATRICE S/L40 450X260	1	€ 250,00
7	RG100944	VASCA IMPASTATRICE S/L50 450X300	1	€ 275,00
8	RG103080	PIASTRA SUPP. VASCA S/L UNIVERSALE	1	€ 61,60
8	RG100936	PIASTRA SUPP. VASCA S/L 50	1	€ 63,30
9	RG100829	CUSCINETTO 6206 2RS	1	€ 6,60
10	RG100823	CUSCINETTO 6206 ZZ	1	€ 6,00
11	RG103093	CATENA VASCA 30/40/50 3/8 131 P. FM+G	1	€ 16,20
12	RG103099	MOZZO+CORONA ALBERO VASCA Z75 3/8 (50)	1	€ 72,44
12	RG103077	MOZZO SVAS.+CORONA ALB. VASCA Z75 x 3/8	1	€ 50,00
13	RG102718	COPERCHIO FILO IMP S/TS 30	1	€ 71,60
13	RG102717	COPERCHIO FILO IMP S/TS 40/50	1	€ 78,50
14	RG103086	CHIUSURA TESTATA IMP. S30/40/50 CON LOGO	1	€ 15,00
15	RG102452	ECCENTRICO PER COPERCHIO IMP. C/S	2	€ 7,14
16	RG100798	PROTEZIONE LATERALE PLX S30	1	€ 10,20
16	RG100921	PROTEZIONE LATERALE PLX S40	1	€ 7,60
16	RG100940	PROTEZIONE LATERALE PLX S50-SX60	1	€ 6,00
17	RG100828	PIEDINO IN PLASTICA D25	4	€ 1,50
18	RG102873	CARPENTERIA IMP S30/40/50 modello 2008	1	€ 219,30
19	RG102864	FONDELLO BASAMENTO S/TS 30/40/50	1	€ 15,00
20	RG102863	CHIUSURA POSTERIORE IMP. C/S 30/40/50	1	€ 27,00
21	RG100038	PRESSACAVO M20x1,5	1	€ 5,00
21	RG100830	GHIERA PER PRESSACAVO M20X1,5	1	
22	RG100911	MOTORE M90 MN 230V B14 kW 1,1	1	€ 230,00
22	RG100901	MOTORE M80 TR 400V B14 kW 1,1	1	€ 181,81
22	RG100906	MOTORE M90 TR 400V B14 kW 1,7/1,3	1	€ 271,33
22	RG102046	MOTORE M90 MN 230V B14 kW 1,5	1	€ 216,32
22	RG100933	MOTORE M90 TR 400V B14 kW 1,5	1	€ 206,66
22	RG102631	MOTORE M90 TR 400V B14 kW 1,5/2,2 2/4P	1	€ 290,40
23	RG100902	ASS. RIDUTTORE NMRV 050+FLANGIA FA(80B14	1	€ 146,00
23	RG100907	ASS. RIDUTTORE NMRV 063+FLANGIA FA(90B14	1	€ 198,80
24	RGA00461	ASS. ALBERO GEN. IMP 30/40/50 (Z14 x 3/8	1	€ 34,20
25	RG100831	SUPPORTO UCF 205 D. 25	1	€ 12,00
26	RG101012	PIGNONE SUP. ALBERO GEN. Z31x1/2 foro 25	1	€ 26,50
27	RG101142	CATENA SPIRALE S30 1/2 67,5 P.+ G.	1	€ 15,30
27	RG101150	CATENA SPIRALE S/L 16/40/50 1/2 63,5 P+G	1	€ 14,70
28	RG100796	CAMME DI REGOLAZIONE COPERCHIO S	1	€ 6,60
29	RG100797	ASTA COPERCHIO IMP S30/40/50	1	€ 8,46
30	RG100198	MICROINTERRUTTORE DI SICUREZZA	1	€ 18,00
31	RG100855	SUPPORTO MICRO IMPASTATRICE S	1	€ 7,80
32	RG103214	MOSTRINA A VISTA CENTRALINA IMP UNIVERS.	1	€ 8,00
32	RG103215	MOSTRINA A VISTA CON INTER. IMP UNIVERS.	1	€ 8,00
33	RG100827	MOSTRINA ADESIVA 2 FORI	1	€ 10,80
33	RG101097	MOSTRINA ADESIVA 3 FORI	1	€ 10,80
34	RG100895	SEGNALATORE LUMINOSO	1	€ 4,20
35	RG100897	CENTRALINA MN PER IMPASTATRICE	1	€ 93,00
35	RG100890	CENTRALINA TR PER IMPASTATRICE	1	€ 106,60
35	RG100896	CENTRALINA TR IMPASTATRICE 2 VEL.	1	€ 163,00
36	RG100833	TEMPORIZZATORE G30M 2C 5025	1	€ 45,00
37	RG100894	PULSANTE DOPPIO ON/OFF CON CONTATTI	1	€ 24,80
37	RG102846	PULSANTE 2 VEL (1/OFF/2)	1	€ 25,80
38	RG100834+RG100835	MANOPOLA M55B 6X4,6 X TIMER IMPA+DISCO MANOPOLA 30 MIN	1	€ 7,00
39	RG101872	FUNGO EMERGENZA DI SICUREZZA	1	€ 19,50
40	RGA00469	ASS. CENTRALINA MN IMP. S DIGITALE	1	€ 113,00
40	RGA00470	ASS. CENTRALINA TR IMP. S DIGITALE+TIMER	1	€ 136,00
41	RG108449	CENTRALINA TR 2 V PER CENTRALINA DIG.	1	€ 116,00
42	RG108450	PULSANTIERA DIGITALE 2 V	1	€ 98,00
43	RG102856	MOLLA PER TENDICATENA IMP SX 30/40/50/60	1	€ 10,00
44	RGA00421	ASS. TENDICATENA IMP 40/50	1	€ 26,00

NUMBER	CODE	DESCRIPTION	QUANTITY	NET PRICE
1	RG100791	Spiral tooth gear Z16x1/2 foro 20	1	€ 17,30
2	RG101182	Bearing 6204 2RS	2	€ 6,00
2	RG100876	Bearing 6205 2RS	2	€ 7,00
3	RG102043	Universal cast iron mounting D120 for dough mixers TS/TSV 30/40	1	€ 33,30
3	RG101525	Universal mounting for dough mixer TS/TSV 50	1	€ 56,00
4	RG101504	Covering buttonholes sheet for dough mixer S/TS 30/40/	1	€ 6,00
5	RG101261	Dough breaker IMP S/L/TS 30/40/50	1	€ 25,00
6	RG102337	Spiral S/TS 30/40	1	€ 165,00
6	RG100938	Spiral S/TS 50	1	€ 212,00
7	RG100832	Bowl S/L30 400X260	1	€ 216,60
7	RG100929	Bowl S/L40 450X260	1	€ 250,00
7	RG100944	Bowl S/L50 450X300	1	€ 275,00
8	RG103080	Universal mounting plate for bowl S/L	1	€ 61,60
8	RG100936	Mounting plate for bowl S/L 50	1	€ 63,30
9	RG100829	Bearing 6206 2RS	1	€ 6,60
10	RG100823	Bearing 6206 ZZ	1	€ 6,00
11	RG103093	Bowl chain 30/40/50 3/8 131 P. FM+G	1	€ 16,20
12	RG103099	Hub+ Gear rim Z75 x 3/8 (50)	1	€ 72,44
12	RG103077	Hub+ Gear rim Z75 x 3/8 (30/40)	1	€ 50,00
13	RG102718	Lid Dough Mixer S/TS 30	1	€ 71,60
13	RG102717	Lid dough mixer S/TS 40/50	1	€ 78,50
14	RG103086	Upper plate for dough mixer. S30/40/50 with LOGO	1	€ 15,00
15	RG102452	Eccentry pulley for lid for dough mixer C/S	2	€ 7,14
16	RG100798	Side plate PLX S30	1	€ 10,20
16	RG100921	Side plate PLX S40	1	€ 7,60
16	RG100940	Side plate PLX S50-SX60	1	€ 6,00
17	RG100828	Plastic foot D25	4	€ 1,50
18	RG102873	Frame dough mixer IMP S30/40/50 model 2008	1	€ 219,30
19	RG102864	Bottom plate for dough mixer S/TS 30/40/50	1	€ 15,00
20	RG102863	Rear plate for dough mixer C/S 30/40/50	1	€ 27,00
21	RG100038	Cable holder M20x1,5	1	€ 5,00
21	RG100830	Cable holder bracer M20X1,5	1	
22	RG100911	Engine M90 MN 230V B14 kW 1,1	1	€ 230,00
22	RG100901	Engine M80 TR 400V B14 kW 1,1	1	€ 181,81
22	RG100906	Engine M90 TR 400V B14 kW 1,7/1,3	1	€ 271,33
22	RG102046	Engine M90 MN 230V B14 kW 1,5	1	€ 216,32
22	RG100933	Engine M90 TR 400V B14 kW 1,5	1	€ 206,66
22	RG102631	Engine M90 TR 400V B14 kW 1,5/2,2 2/4P	1	€ 290,40
23	RG100902	Assembly reducer NMRV 050+flange FA(80B14	1	€ 146,00
23	RG100907	Assembly reducer NMRV 063+flange FA(90B14	1	€ 198,80
24	RGA00461	Lower drive shaft for dough mixer 30/40/50 (Z14 x 3/8	1	€ 34,20
25	RG100831	Mounting UCF 205 D. 25	1	€ 12,00
26	RG101012	Universal upper tooth gear Z31x1/2 hole 25	1	€ 26,50
27	RG101142	Spiral chain S30 1/2 67,5 P.+ G.	1	€ 15,30
27	RG101150	Spiral chain S/L 16/40/50 1/2 63,5 P+G	1	€ 14,70
28	RG100796	Lid regulation cam for dough mixer S	1	€ 6,60
29	RG100797	Pin for dough mixer S30/40/50 lid	1	€ 8,46
30	RG100198	Safety microswitch	1	€ 18,00
31	RG100855	Micro mounting foot for dough mixer S	1	€ 7,80
32	RG103214	Universal cover for digital dough mixer	1	€ 8,00
32	RG103215	Universal cover for analogic dough mixer	1	€ 8,00
33	RG100827	Adhesive tab 2 holes	1	€ 10,80
33	RG101097	Adhesive tab 3 holes	1	€ 10,80
34	RG100895	Bright indicator	1	€ 4,20
35	RG100897	Control unit single phase	1	€ 93,00
35	RG100890	Control unit threephase	1	€ 106,60
35	RG100896	Control unit threephase 2 speed	1	€ 163,00
36	RG100833	Timer G30M 2C 5025	1	€ 45,00
37	RG100894	Push button on/off and contacts	1	€ 24,80
37	RG102846	Push button 2 speed (1/OFF/2)	1	€ 25,80
38	RG100834+RG100835	Timer knob M55B 6X4,6 X + knob disc 30 MIN	1	€ 7,00
39	RG101872	Emergency safety switch	1	€ 19,50
40	RGA00469	Assembly control unit dough mixer S digital single phase	1	€ 113,00
40	RGA00470	Assembly control unit dough mixer S digital three phase + timer	1	€ 136,00
41	RG108449	Control unit threephase 2 speed for digital	1	€ 116,00
42	RG108450	Digital button box 2 speed	1	€ 98,00
43	RG102856	Chain tensioning spring for dough mixer SX 30/40/50/60	1	€ 10,00
44	RGA00421	Chain tensioning assembly for dough mixer 40/50	1	€ 26,00